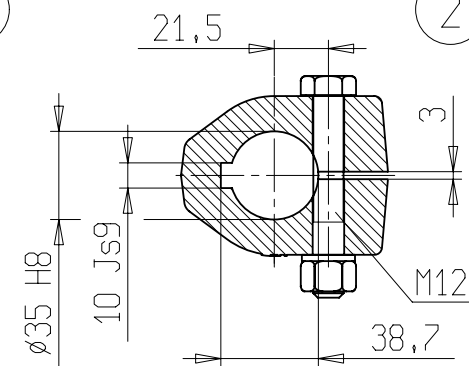


Tubes provided with plastic caps

**WARNING!**

SECTIONS OF THE ASSEMBLY MARKED ARE NOT SHIELDED AND MUST BE SHIELDED BY AN INTERACTIVE GUARDING SYSTEM. BONDIOLI & PAVESI DECLINES RESPONSIBILITY IF PROPER GUARDS ARE NOT PROVIDED OR MAINTAINED.



1	CODICE CODE R09	LATO TRATTORE TRACTOR SIDE	LATO MACCHINA IMPLEMENT SIDE	TIPO-TYPE SFT-H7	CLIENTE / CUSTOMER 3600502 Dani-Tech A/S	RIF. CLIENTE / CUSTOMER REF.	
2	CODICE CODE 5090H6355			DATA / DATE 14/2/2017	DISEGNATO / DESIGNED BY A.Caffagni	TIPO DI MACCHINA / TYPE OF IMPLEMENT	
3				LUNGHEZZA MAX IN LAVORO MAX WORKING LENGTH LW=695	STUDIO / DESIGN	ORIGINE / ORIGIN DS7N056CER09001	
4		VELOCITA' MAX MAX SPEED 540 min <sup>-1</sup>	M max 4000 Nm	LUNGHEZZA MAX TEMPORANEA MAX TEMPORARY LENGTH Lt=770	NOTE / NOTES SPECIALE PER POS.2 E TAPPI PER TUBI	CODICE / CODE DH7N056CER09001	